

What is a hot and cold water plant without a vase? How much?

Normally to use hot and cold water plants we have to equip with more water bottles. However, in order to meet the modern life, the manufacturers have produced hot and cold water plants that do not use pots. So what is a hot and cold water plant without a vase? Let's explore their features through this article!

Normally to use hot and cold water plants we have to equip with more water bottles. However, in order to meet the modern life, the manufacturers have produced hot and cold water plants that do not use pots. So what is a **hot and cold water plant without a vase** ? Let's explore their features through this article!

main content

1. What is a hot and cold water plant without a vase?
2. Benefits when using hot and cold water plants do not use pots
3. How much is the price of hot and cold water plants?
4. Experience in buying and using water dispenser plants without effective safety vessels
5. Top hot and cold water plants do not use the best vase today
 1. The RO water purifier integrates Sunhouse SHR76210CK 10-core cold water heater
 2. Chungho Tiny Ice UV water heater CHP-5321D
 3. The hot and cold water does not use the Korihome WPK-938



What is a hot and cold water plant without a vase?

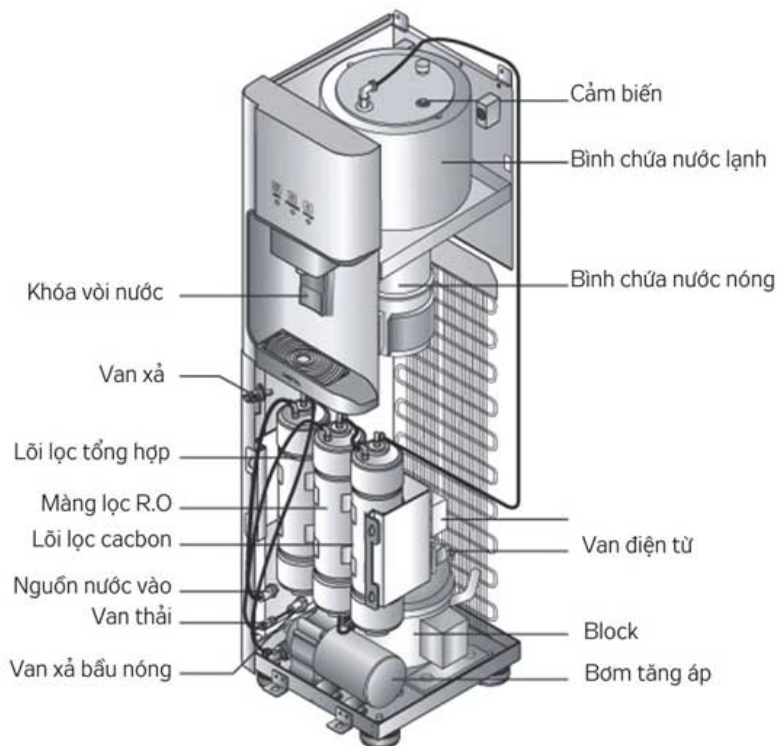
The normal hot and cold water plants, if you want to operate, must have the above water tank to get the water supply for the heating and cooling machine to serve the demand. And hot and cold water plants that do not use a specially designed vessel will supply water directly to the inside of the machine through a separate pipeline.

Simply put, the hot and cold water plant does not use the bottle as the hot and cold water filter. This is a device that is capable of making hot water, cold water and integrating water filtration function like normal water purifiers.

Hot and cold water plants that are not used are composed of parts such as:

1. Sensor
2. Hot water tank, cold water container
3. Electronic valve
4. Block
5. Turbochargers
6. Lock the faucet
7. Exhaust valve
8. Synthetic filter core
9. RO filter membrane
10. Carbon filter core
11. Water inlet
12. Wastewater valve
13. Hot gourd flush valve .

Depending on the models, the filters may differ slightly.



Benefits when using hot and cold water plants do not use pots

With a special design, the hot and cold water plants do not use the jar will bring to users the extremely interesting utilities:

1. Safe for health: The product is equipped with filter core with modern advanced RO filtration technology to help eliminate debris, bacteria, viruses, impurities . brought to the country by the source. pure water. Some models are also equipped with the ability to supplement essential nutrients to help improve the quality of water sources for users to feel more secure when using.
2. You will not have to waste the time replacing water bottles when you run out. At the same time, saving a lot of costs incurred in the process of using.
3. The design of the water plant is quite compact, suitable for all family and office space . Compared to having to equip both hot and cold water plants and water purifiers, using this device will save Time and cost many times.



How much is the price of hot and cold water plants?

On the market today appears quite a lot of brands producing hot and cold water plants do not use pots, so the price is quite diverse, ranging from 4 million to tens of million.

Specifically:

1. Hot and cold water plants do not use Chungho bottles with the price from 10 to 35 million VND
2. Korihome hot and cold water filter has a selling price of 8 to 15 million VND
3. Hot and cold water plants without New Life bottles are priced from 7 to 10 million VND
4. Hot water plants do not use Sunhouse bottles with the price from 5 to 10 million VND
5. The cold and hot water plant Karofi costs 5 million to 15 million VND

Experience in buying and using water dispenser plants without effective safety vessels

To buy and use safe and efficient water plants, you should note some of the following points:

1. Select products using water purification technology that best suits the water source at the place of use.
2. Determine the need to use to be able to choose the most appropriate machine capacity to avoid wasting or failing to meet demand
3. Select products with clear origin, highly appreciated by users
4. Long-term warranty is also a point to consider when choosing to buy
5. When using it, place the product in a dry place, not near a high heat source
6. Periodically clean products, check and replace filters according to the manufacturer's recommended time
7. Do not share sockets with other electrical devices
8. Do not use water sources contaminated with alum, salt water, water from wells . to filter the most efficient operation

Top hot and cold water plants do not use the best vase today

In order to make it easier for you to make a choice, below we present some of the best-selling non-tank water dispenser plants available today:

The RO water purifier integrates Sunhouse SHR76210CK 10-core cold water heater

Features of Sunhouse SHR76210CK:

1. Use 10 filter cores including RO core to bring safe, secure water to users
2. Cooling with electronic chips
3. Machine for cold water temperature is 5-10 degrees C, hot water temperature is 85 - 90 degrees C
4. Long warranty period: 5 years for electrical parts
5. Filter capacity reaches 10 - 15 liters / hour to meet the needs of many people
6. Price: **VND 6,590,000** (Applied until **July 30, 2019**)



Chungho Tiny Ice UV water heater CHP-5321D

Features of Chungho Tiny Ice UV CHP-5321D:

1. The product is very versatile, in addition to the ability to filter water, make hot / cold water also integrates the ability to make ice cubes handy
2. 5-step RO filtration system helps create safe, hygienic outlet water
3. Compact and luxurious design can fit into many usable spaces
4. Equipped with self-locking ball valve when detecting leakage water
5. Meeting direct drinking water standards without boiling QCVN06-1: 2010 / BYT
6. Certified for US NSF / ANSI 58 safety materials (MCM and Microfilter)
7. Obtain FDA Certification of US Department of Health (MCM)
8. Get a WRAS certificate from the UK
9. Price: **VND 21,990,000**
10. Warranty 12 months



The hot and cold water does not use the Korihome WPK-938

Features of Korihome WPK-938:

1. The cold tank capacity is 3.2 liters, the heater capacity is 2 liters. Having a cool temperature function helps users to have cool glasses available to cool summer days.
2. Product for cold water temperature reached 4-12 degrees Celsius, hot water temperature from 70 - 90 degrees C.
3. Equipped with 8 filter systems imported from Korea to help create pure, pure sterile clean water sources, ensuring direct drinking
4. Filter capacity of 15 liters / hour, meeting the demand of many people
5. It is also equipped with the Eco feature which provides efficient power saving
6. Applied Hydrogen Alkaline technology for water to help enhance blood circulation, prevent aging to beautify skin, stabilize digestive system and prevent cancer-causing agents.
7. Price: **14,700,000 VND**, 24 months warranty



Now you have a clear understanding of what a hot and cold water dispenser is and how much it costs. If you need to buy or use any questions, please contact us at the hotline number below for advice: In Hanoi: **024.3568.6969** or in HCMC: **028.3833.3366**.

>>> Reference:

1. Should buy a hot and cold water filter
2. Structure and principles of hot and cold water dispenser

You finished reading the article "**What is a hot and cold water plant without a vase? How much?**" edited by the [TipsMake](#) team. We hope this article has provided you with many useful tech tips and tricks. You can search for similar articles on tips and guides. Thank you for reading and for following us regularly.