

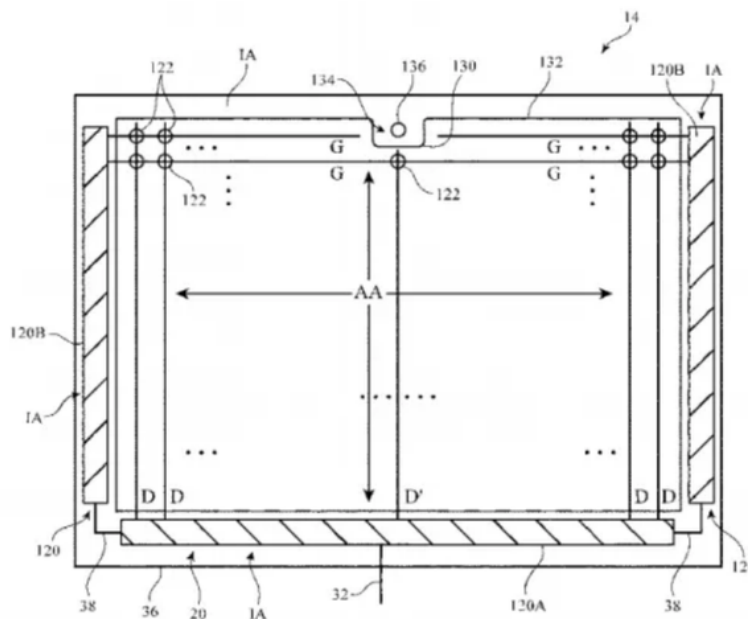
The new patent shows that Apple plans to bring rabbit ears to the iPad

And this rabbit ear will be horizontal, not vertical as on iPhone.

Not everything that appears on patents will appear in real life, but they do reveal some ideas that a company is contemplating bringing to future products.

And a recently published patent by Apple shows that the company finally realized that most people use the iPad in landscape mode when deciding to move the Face ID sensor cluster and the front camera to the horizontal edge of the device. There is only one thing no one expects here: the patent illustration showing these components is housed in a . rabbit ear.

The patent has been registered by Apple since August 2016. It shows that Apple plans to add a front camera and other components to the horizontal border of the iPad. In the description, the patent states that " *the inactive area may have a thick layer of black ink or other covering material to prevent people from seeing the internal components. The operating area may have an empty part contains a separate inactive area, or may contain a rabbit ear or a cut that part of the inactive area will eat into .* "



Rabbit ears are a controversial design feature. Some people just don't care and ignore it completely. Others will argue about its necessity. In 2018, consumers were furious because Apple introduced the notch with the iPhone

X. Similarly, it seems that Apple ran out of ideas when it brought the rabbit ears to the iPad. Perhaps it is also a signal that Apple has realized that it is silly to put the default iPad in portrait mode, when most people use it as a device to consume content.

Using landscape mode as the default is also completely in line with Apple's intention to turn the iPad into a user's second working device. A few weeks ago, Apple announced a new iPad Pro with an accessory called the Magic Keyboard, which prefers landscape mode rather than portrait mode, so the tablet can function as a laptop. If this is indeed the future of the iPad, then there is nothing more logical than putting the camera and Face ID sensor on the horizontal edge of the device.

However, the patent says that using a rabbit ear containing a camera is just one of many possible solutions, so perhaps Apple will be wise and avoid falling into the same situation as it once had with the iPhone X. The iPad Pro now has a front-facing camera and a Face ID sensor without a notch, while its edges are about the same width, but the notch is pretty superfluous. Not to mention avoiding rabbit ears also helps developers reduce headaches find ways to optimize applications to fit the screen.

You finished reading the article "**The new patent shows that Apple plans to bring rabbit ears to the iPad**" edited by the [TipsMake](#) team. We hope this article has provided you with many useful tech tips and tricks. You can search for similar articles on tips and guides. Thank you for reading and for following us regularly.