

The first foldable iPhone is about to be released, the most surprising is the price

The Verifier has just published an exclusive report that Apple will launch the first foldable iPhone in 2022.

Recently, The Verifier has published an exclusive report that Apple will launch the first foldable iPhone in 2022. This iPhone will run the iPadOS operating system to be compatible with the big screen instead of iOS.



(Photo: THE NEWS)

The source said, the foldable iPhone will have a strong configuration with at least 8 GB of RAM, 256 GB of internal memory, running the latest A-series chip.

The surprising point is the selling price, The Verifier said Apple will price this smartphone at a quite comfortable level, about \$ 1,499, while the Samsung Galaxy Z Fold 2 is currently sold for \$ 1,999.

The machine will be announced on November 2022. Some previous reports said that the folding iPhone will use a screen manufactured by Samsung.



(Photo: iMore)

Apple is said to have planned to order "bulk" for the new flexible OLED panels from the Korean company. Other leaks reveal that Apple has been testing foldable screens for iPhones since last year and will launch the first device next year or until 2023.

Apple is one of the companies that has long been interested in folding screen phones. The company has registered a number of patents on this device, but there is no product officially launched.



(Photo: The Verifier)

Previous reports have suggested that the foldable iPhone will be designed in such a way that when opened, the device will have a seamless screen and does not feel like these are two screens.

Recently, Apple was also discovered to have registered a patent for screen technology capable of self-repair, which helps the screen not leave a stain after the process of repeatedly folding and opening.

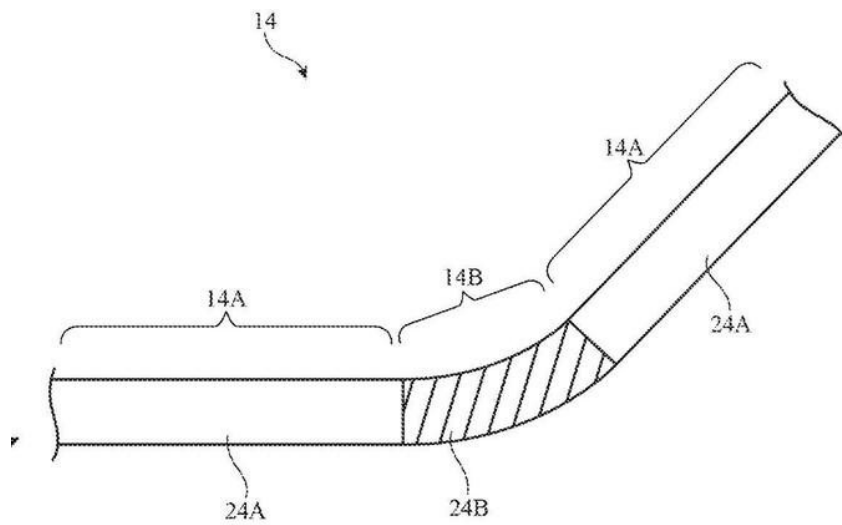


FIG. 6

(Photo: Macworld UK)

Elsewhere, Google is also preparing to release its first foldable Pixel phone. Meanwhile, LG and Microsoft are starting to release dual-screen phones to see if there's a foothold.

You finished reading the article "**The first foldable iPhone is about to be released, the most surprising is the price**" edited by the [TipsMake](#) team. We hope this article has provided you with many useful tech tips and tricks. You can search for similar articles on tips and guides. Thank you for reading and for following us regularly.