

# Printer not powering up error - How to fix Printer not powering up error

You often use the printer, but sometimes the printer does not turn on. This article will show you how to fix the printer not turning on. Click to view now!

The long-term use process also reduces the life of the printer, making the printer not work well, causing errors and diseases. Today we learn with you about the error of the printer not turning on, the printer not working, the printer not turning on. Follow along!

## 1. Signs that the printer is not powered on

Printer not starting is a sign of power failure. Having a problem with the power source will make the boot process take a long time, or even fail to boot. The sign of this is that the printer does not light up and won't start.



## 2. Cause the printer does not power on

- The printer does not start due to mains failure.
- The printer does not work due to main control failure, card formatter.
- The printer does not work due to a broken power cord.
- The printer does not work because the power on key is broken, or the power trigger is faulty.



### **3. Main cause**

- Due to the long life of the printer, the electronic components are oxidized, causing unstable currents or overvoltages, short-circuits, and explosions.
- Due to external natural disasters: Such as the printer being struck by lightning, the printer being dropped by water, the printer being attacked by animals such as cockroaches, ants, mice, etc., entering the electrical circuit, damaging the circuit or the engine itself. They may be electrocuted, short-circuiting the components.



### **4. How to fix the printer not turning on**

- Turn off the printer when not in use and store it in a dry, ventilated place.
- Store the machine tightly to prevent animals from getting inside.



## **5. How to use the printer properly**

Step 1: Install the printer with the server.

Step 2: Set up permission to share the printer with the rest of the machines.

Step 3: Connect the computer system to the printer.

Step 4: Proceed to print the document.

## **6. What to note when using the printer**

### **Subdivide the number of prints**

**When you have to work with large PDF documents, it will be difficult for you in the process of using and editing, especially when sending via email. So dividing the print volume will help the printer work better.**

### **Print paper quality**

Coated paper is a type of paper that is coated with a coating to increase light opacity, smooth surface, gloss and high light reflection. The coating helps the paper to reproduce the true color of the ink, vividly.



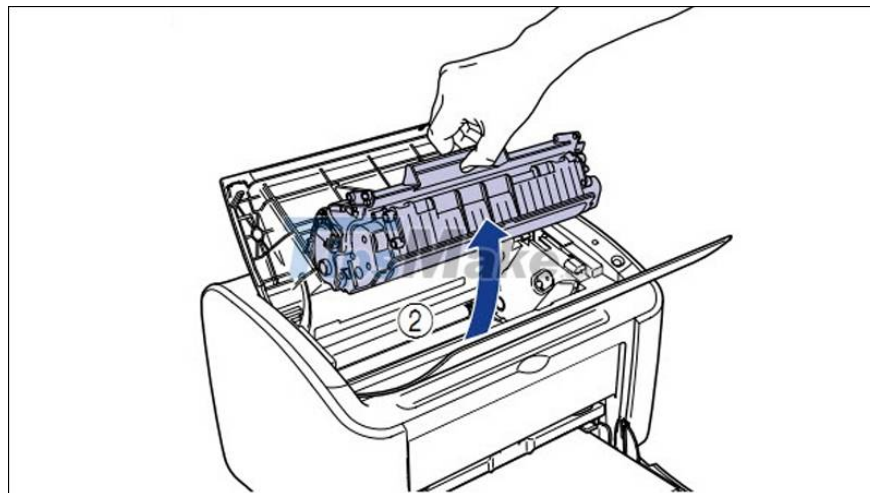
### **Store the printer when not in use**

If you do not need to use the printer right away, you can store it in a box, pack it carefully to avoid animals such as mice and cockroaches entering and damaging the device.

### **Handling paper jams**

Step 1: You should turn off the printer's power and unplug it. The purpose of this is not only to help the printer cool down, but also to ensure your safety.

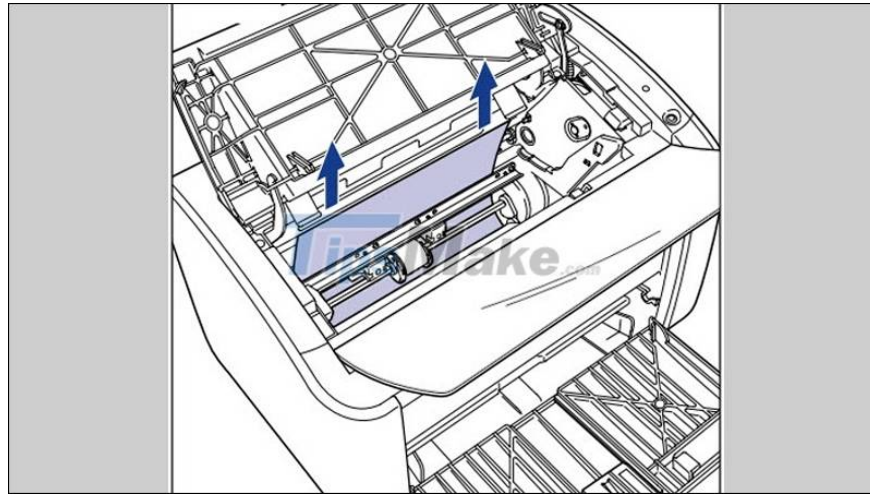
Step 2: Open the cover of the ink cartridge protection compartment, then grab the handle of the ink cartridge, gently pull the ink cartridge out of the paper.



Step 3: If the Canon 3300 printer or Canon 2900 printer has a paper jam in case the paper is jammed in the roller unit, use 2 hands to slowly pull the paper out of the roller.

Note: You should do it slowly, slowly, not too hasty or hasty.

Step 4: If the paper is jammed at the paper return unit after printing, use 2 hands to insert the back of the paper and then pull it out slowly. Or you can also pull paper from the printer's rear paper tray.



### **Poor quality ink**

To determine the right ink type, you need to consult the user manual of the machine, or ask carefully to know which model your printer belongs to to determine the right ink type.

The printer must not use suitable or genuine ink, the components and internal parts of the machine are easily damaged, causing you to incur additional repair costs.

Therefore, it is recommended to use the ink that the manufacturer recommends, so that the product has good ink quality and does not affect the durability of the machine.

You finished reading the article "**Printer not powering up error - How to fix Printer not powering up error**" edited by the [TipsMake](#) team. We hope this article has provided you with many useful tech tips and tricks. You can search for similar articles on tips and guides. Thank you for reading and for following us regularly.