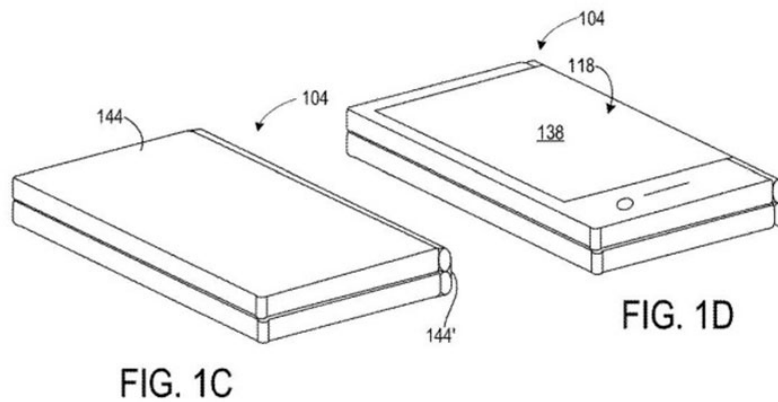


Microsoft's foldable smartphone won't have a crease

Microsoft is said to be getting closer to launching its first foldable smartphone when it was granted a patent for a foldable phone with the ability to fold 360 degrees but without creating wrinkles on the screen on October 1.

One of the biggest headaches for foldable smartphone makers is the crease in the middle of the screen. And it looks like Microsoft may have solved the problem with US Patent 12,108,620, titled 'Display Device with a Slot in the Glass,' which illustrates a book-style folding phone like the Galaxy Z Fold6. The highlight of this patent is that the screen can fold in both directions, inward or outward, without appearing a crease.



Microsoft used a light-emitting layer between the glass and the back cover, combined with manufacturing technologies like wet etching and laser cutting, to figure out how to eliminate the annoying crease.

Previously, the company launched the Surface Duo with two separate screens, so it was not considered a foldable smartphone. The third generation Surface Duo project was canceled after two generations were not well received.

With a 360-degree foldable display, Microsoft could make a big dent in the burgeoning foldable phone market, and could even make a difference in the industry if it launches soon.

Before Microsoft, TCL also demonstrated a 360-degree foldable smartphone prototype but has not yet determined the commercialization time, and Apple has also been granted a patent for a crease-free folding screen.

You finished reading the article "**Microsoft's foldable smartphone won't have a crease**" edited by the [TipsMake](#) team. We hope this article has provided you with many useful tech tips and tricks. You can search for similar articles on tips and guides. Thank you for reading and for following us regularly.