

Make your own air conditioner cleaning at home easily

You can clean the air conditioner yourself at home very easily without the need for a professional

When using the air conditioner for a while, the internal parts of the machine will be very dusty, so you need to clean the air conditioner periodically. You can clean the air conditioner at home without the need of a professional.

The operating principle of the air conditioner is air convection, so when used for a while, the dust in the air will stick to the internal parts of the machine. This is the main cause of poor performance of the air conditioner and can be the cause of respiratory diseases.



Make your own air conditioner cleaning at home easily

Air conditioners need to be cleaned periodically

To ensure optimal performance, the air conditioner needs to be cleaned every 6 months to 1 year depending on usage and ambient conditions. The job of cleaning the air conditioner is usually to use spray water to wash the dust filters, fins and fans inside the indoor and outdoor units.

Cleaning the air conditioner often requires professionals and support tools to avoid damaging the machine when performing. However, between 2 periodic cleanings, you can also clean some parts of the air conditioner yourself.

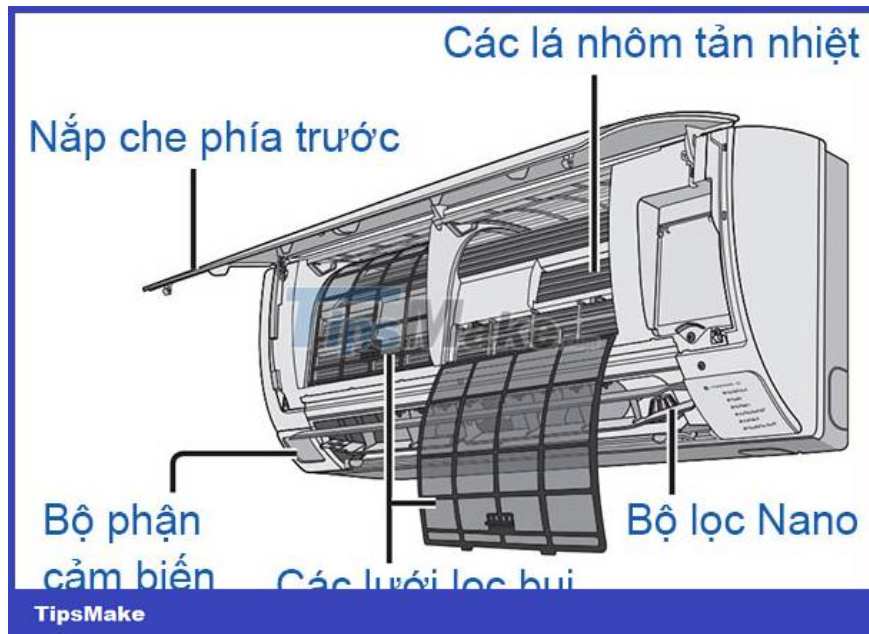
How to do it yourself at home

Before cleaning, you must turn off the power by turning off the circuit breaker or unplugging the air conditioner.

In the indoor unit, there will usually be at least 2 dust filters. More advanced air conditioners will have 2 more fine mesh filters and Nano filter elements. Depending on the type of air conditioner, the dust filters will be placed in different positions. So you need to find out to know where they are.

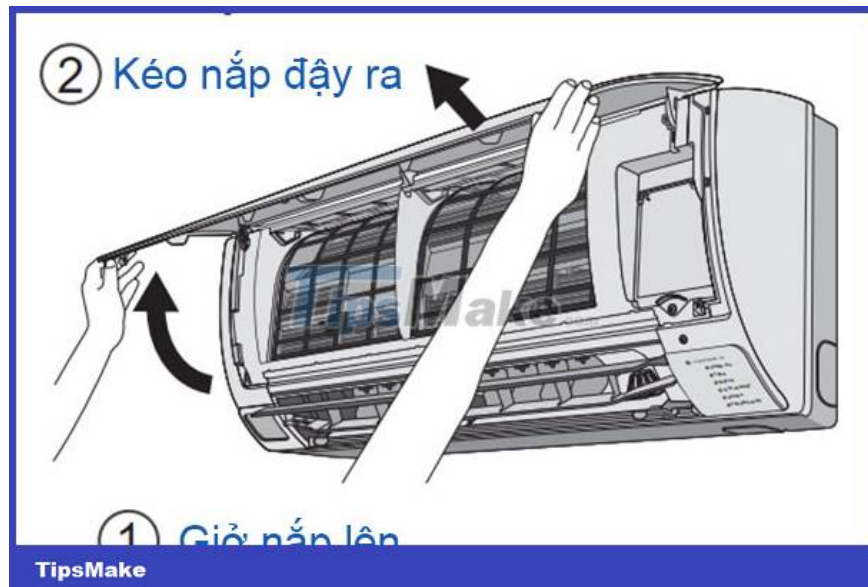
You can look in the manual of the air conditioner or ask the mechanic during assembly for the location of the dust filters.

Remove the dust filter installed inside the indoor unit



How to clean the dust filter installed inside the indoor unit

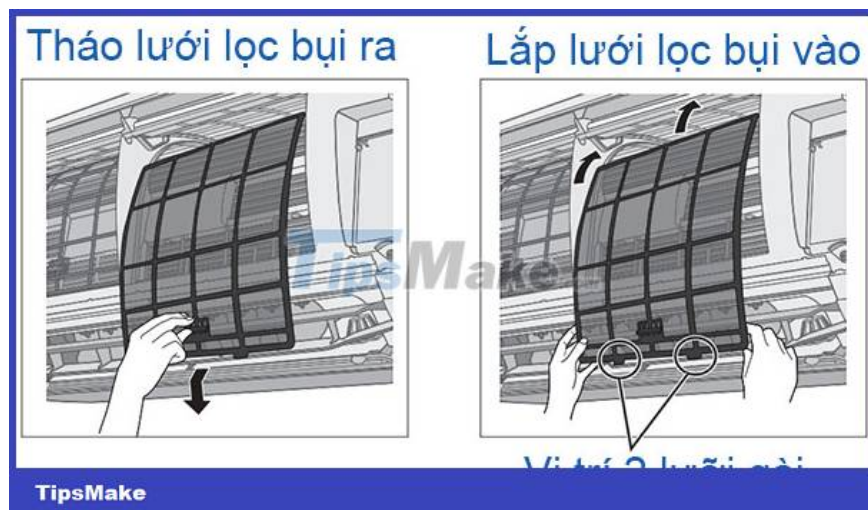
For air conditioners with a dust filter installed inside the indoor unit, open the front cover of the indoor unit by pulling the bottom two corners up with both hands.



Open the front cover of the indoor unit

The cover of the indoor unit is designed to be removable, at the top there is a latch like a hinge but can be easily removed, at the bottom is only retained by a small ledge. This cover is easily removable but you can simply lift it up and there is another ledge to help keep the lid from coming down on its own.

After opening the lid, you will see 2 air filter screens on both sides. You should notice at the bottom of the filter that there are 2 hooks, use your hand to lift it slightly and then pull the filter out of the indoor unit.



How to remove and install the dust filter installed inside the indoor unit

You continue to check to see if there are any other ones besides these 2 grids. If so, remove them immediately.

Clean the dust filter inside the indoor unit

Rinse the filters under the tap gently and carefully until all the dust is removed, then dry with a clean cloth.



Vệ sinh lưới lọc bụi
dưới vòi nước

Vệ sinh bộ lọc Nano
bằng tăm bông

TipsMake

Clean the dust filter and Nano filter of the air conditioner

Clean the Nano filter in the air conditioner

If the air conditioner is equipped with a Nano filter, you can clean it with a cotton swab.

Install the filters inside the air conditioner

After cleaning the dust filters, put them back in their original position and close the cover.

Remove the dust filter installed above the indoor unit

For the filter that is installed above the indoor unit, grasp the filter by the handle and pull it forward to remove it. In some air conditioners, the filter can be held in place by latches or slots, please be careful when removing it to avoid damaging the dust filter.



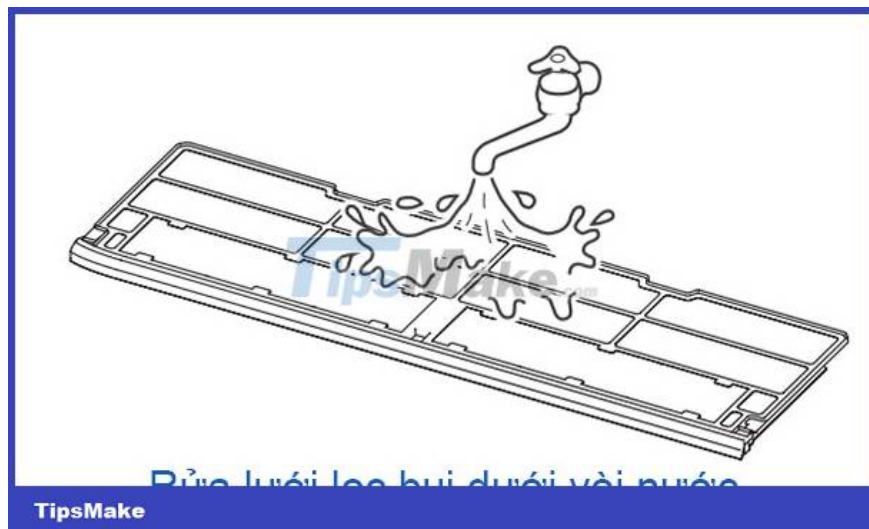
TipsMake

Remove the dust filter on the top of the indoor unit

The dust filter in the air conditioner can be designed in the form of a large plate nearly equal to the width of the air conditioner or divided into two small panels installed on either side.

Clean the dust filter above the indoor unit

Rinse the dust filter under the tap gently and carefully until all the dust is removed, then dry with a clean cloth.



Gently rinse the dust filter under the tap
After cleaning, install the dust filter in the old position.



Install the dust filter on the top of the indoor unit

Clean the outer covers

You continue to use a damp cloth to clean the cover and outside parts of the indoor unit.

So you have easily cleaned the air conditioner yourself at home. Now, please turn on the power and let the air conditioner operate to check. If you follow the instructions carefully every step of the way, nothing will go wrong.

Notes when cleaning the air conditioner yourself at home

1. When removing the dust filter, be careful not to let dirt fall out of the filter or get into the eyes and mouth.
2. Do not touch the heat sink aluminum foil or sharp parts that may cause injury.
3. Do not use benzene or thinner chemicals.

4. Only soaps with a pH of 7 or household detergents can be used.
5. Do not use water hotter than 40°C
6. Do not use a dryer, but use a dry cloth to wipe the dust filters.
7. Dust filters should be cleaned every 2 weeks.
8. The Nano filter should be cleaned every 6 months.
9. If the dust filter is punctured, damaged, etc., you must replace it immediately, otherwise the dust will stick to the internal parts of the machine.
10. The fan of the air conditioner, when used for about 1 year, may collect a lot of dust, you can use a brush to wipe away the dust on the fan blades.

You finished reading the article "**Make your own air conditioner cleaning at home easily**" edited by the [TipsMake](#) team. We hope this article has provided you with many useful tech tips and tricks. You can search for similar articles on tips and guides. Thank you for reading and for following us regularly.