

How to convert CAD files to Word the fastest and most standard way

You are in need of converting drawings in CAD files to Word for printing or presentations but do not know how to transfer? How to quickly convert CAD files to Word, keep the best image quality, fonts, then you need to use BetterWMF software - copy the image

You are in need of converting drawings in CAD files to Word for printing or presentations but do not know how to transfer? Let's refer to the article below to be able to convert CAD files into Word quickly and standardly.



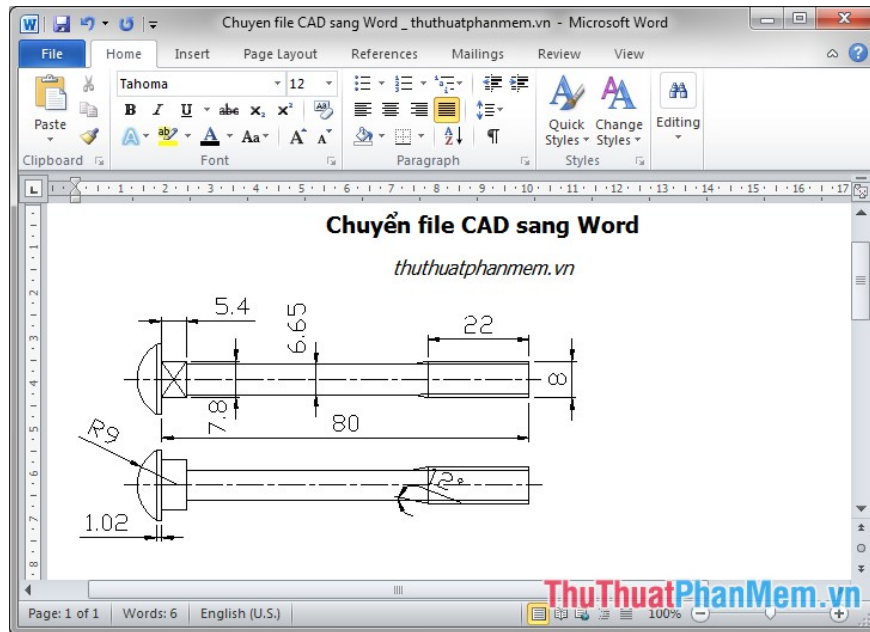
There are many ways to convert CAD files to Word, you can use the command Ctrl + C to copy and Ctrl + V to paste to Word but it will copy the embedded object type so the Word file will be very heavy, not quality assurance image because the image is not cut close to the edge of the image to be taken. So how to quickly convert CAD files to Word, keep the best image and font quality, you need to use BetterWMF software - copy drawings from CAD to Word.

Step 1: First you need to download this software to your computer, then run the downloaded file and select the unzip software to be automatically installed on your computer.

You can download it from the Better WMF homepage <https://www.furix.com/download>.

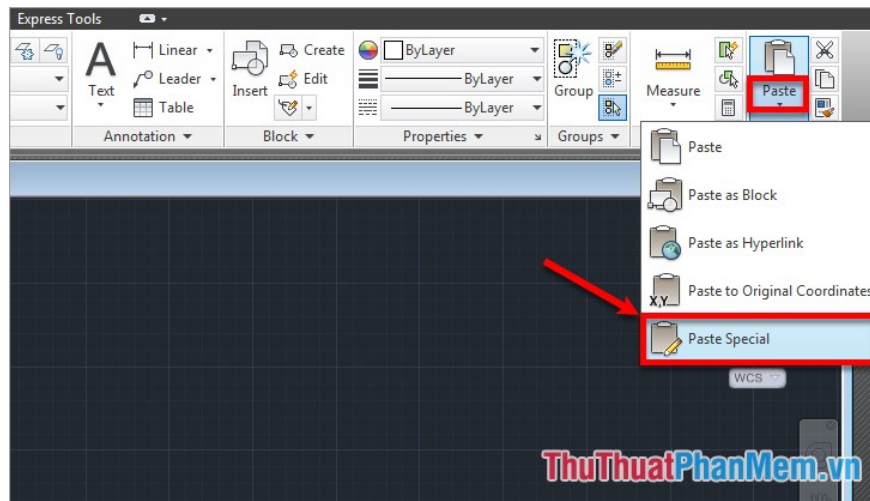
Step 2: Open the software (select Start -> All Programs -> BetterWMF -> BetterWMF for AutoCAD LT) and customize some options on the software:

1. **Make all black** : select these 2 items, all strokes and text will turn black.

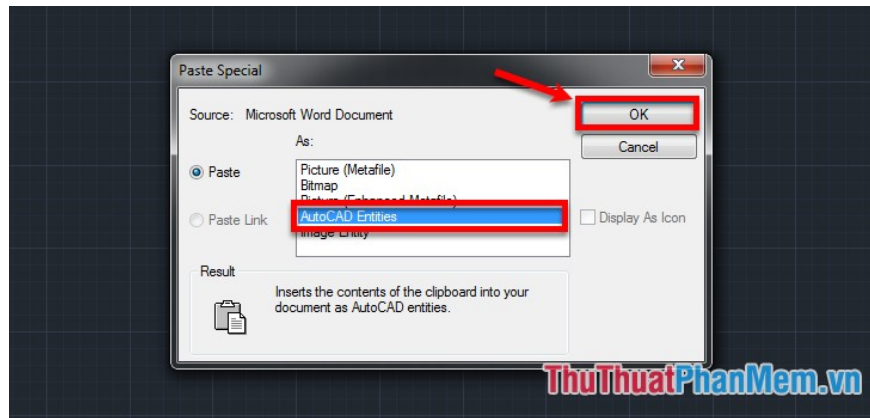


To copy back from Word into a CAD object (editable), you do the following:

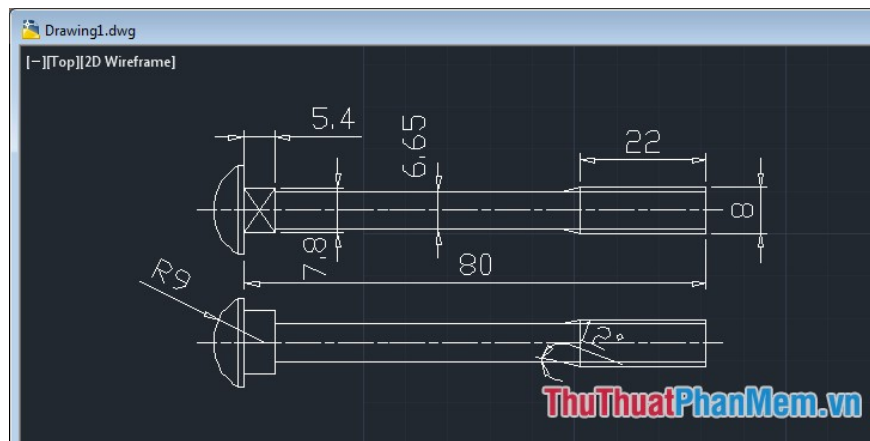
1. Right-click an image in Word -> press Ctrl + C to copy.
2. Open AutoCAD, in the **Home** tab you select the **triangle icon** under the word **Paste** in the **Clipboard** -> **Paste special**.



1. The **Paste special** dialog box appears, select **AutoCAD Entities** -> **OK**.



You then select the location and place the drawing, so that you can edit the objects in the drawing.



So you know how to convert CAD files into Word standard and fastest with Better WMF software. Your drawings will be guaranteed the strokes, image quality, fonts help you easily visualize as in the CAD file. I wish you success!

You finished reading the article "**How to convert CAD files to Word the fastest and most standard way**" edited by the [TipsMake](#) team. We hope this article has provided you with many useful tech tips and tricks. You can search for similar articles on tips and guides. Thank you for reading and for following us regularly.