

How to color vector icons in Adobe Illustrator

In previous articles, TipsMake has guided you on how to design 3D logos in Adobe Illustrator. This article will continue by showing you how to color vector icons in Adobe Illustrator.

Suppose you download icon packs from the internet, but they are black and white instead of color. If you don't know how to handle this in Illustrator, refer to the article below from TipsMake to learn how to **color vector icons in Adobe Illustrator** .

How to color vector icons in Adobe Illustrator

Step 1: Download and install Adobe Illustrator.

Adobe Illustrator CC
Explore new paths with the essential vector tool.

Annual plan for
US \$19.99
per month

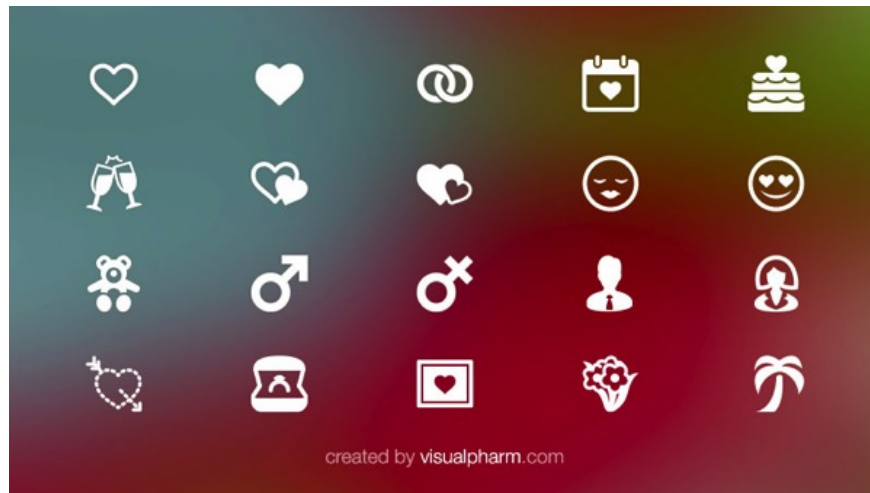
Join

Try

Student and teacher pricing >

Download and install Adobe Illustrator here: Download **Illustrator**

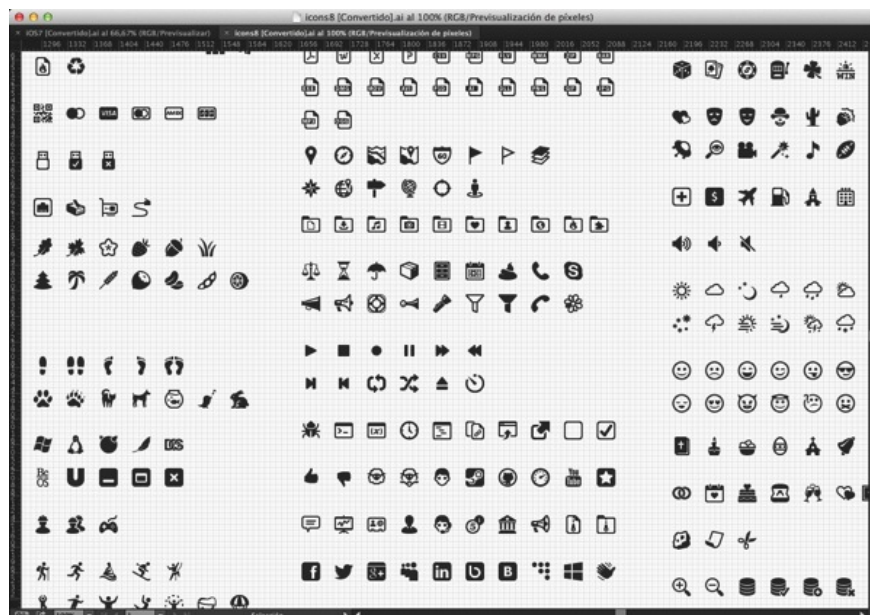
Step 2: Download the vector icon.



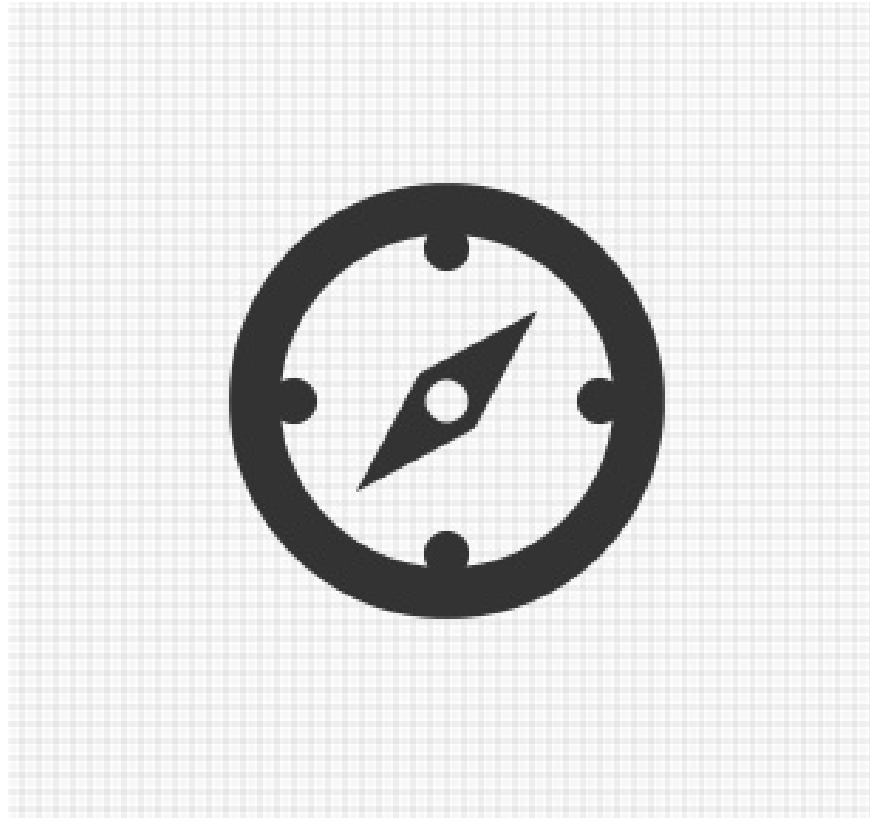
Download and install vector icons here .

Step 3: Open the file and find the icon.

After downloading the vector file (usually a file with the extension AI or EPS), open it using **File => Open.** . A window will then appear on the screen that looks like this:

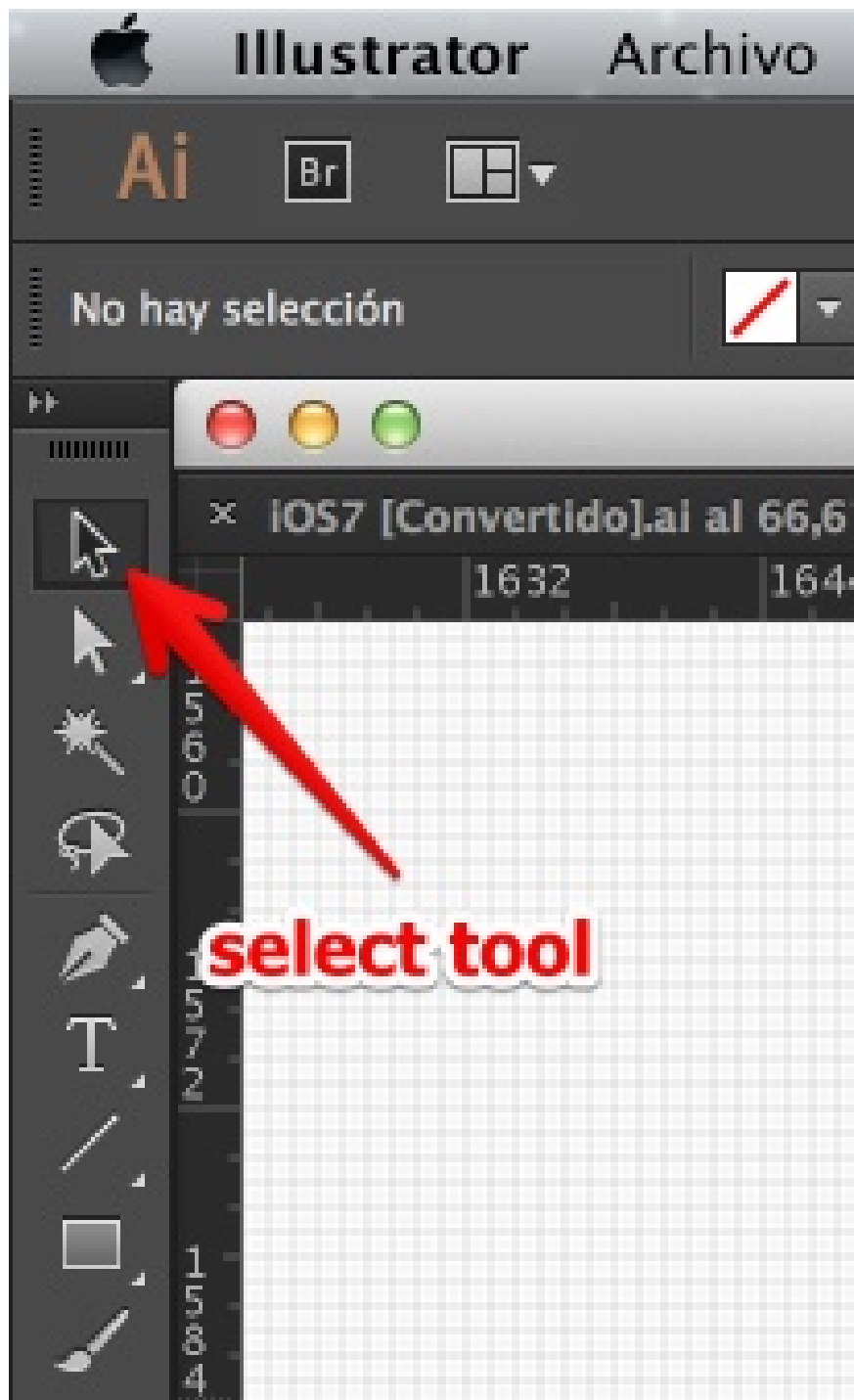


Use the scroll bars to scroll through the icons. To zoom in on the icons, press **Cmd +** (on Mac) or **Ctrl++** (on Windows).

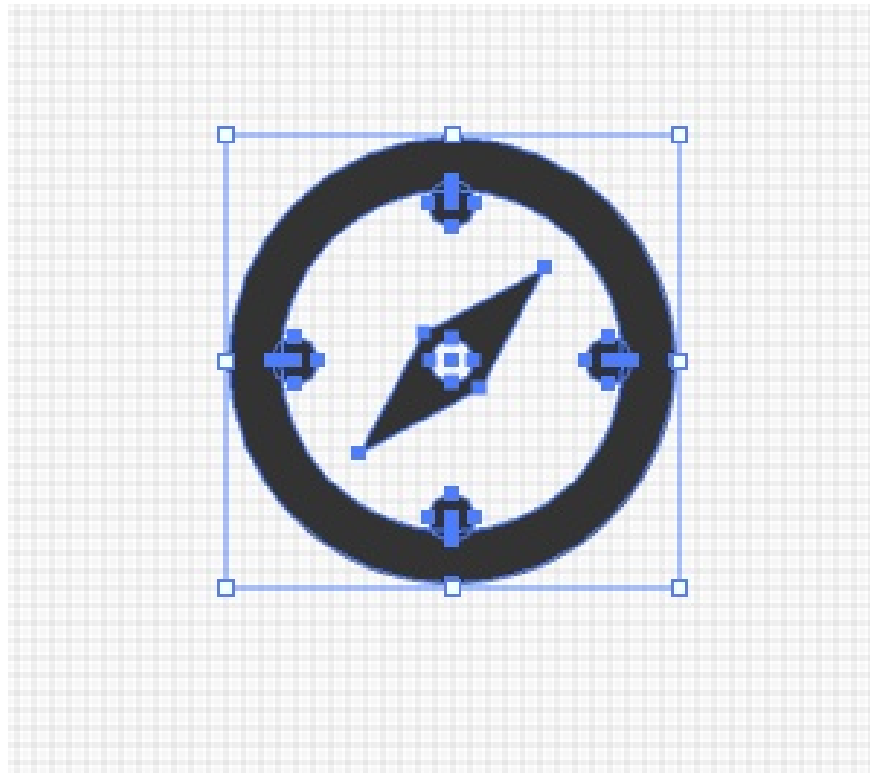


Step 4: Select the icon

The next step is to select the icon, making sure the Select Tool is selected. This tool is located in the upper left corner, as shown below:

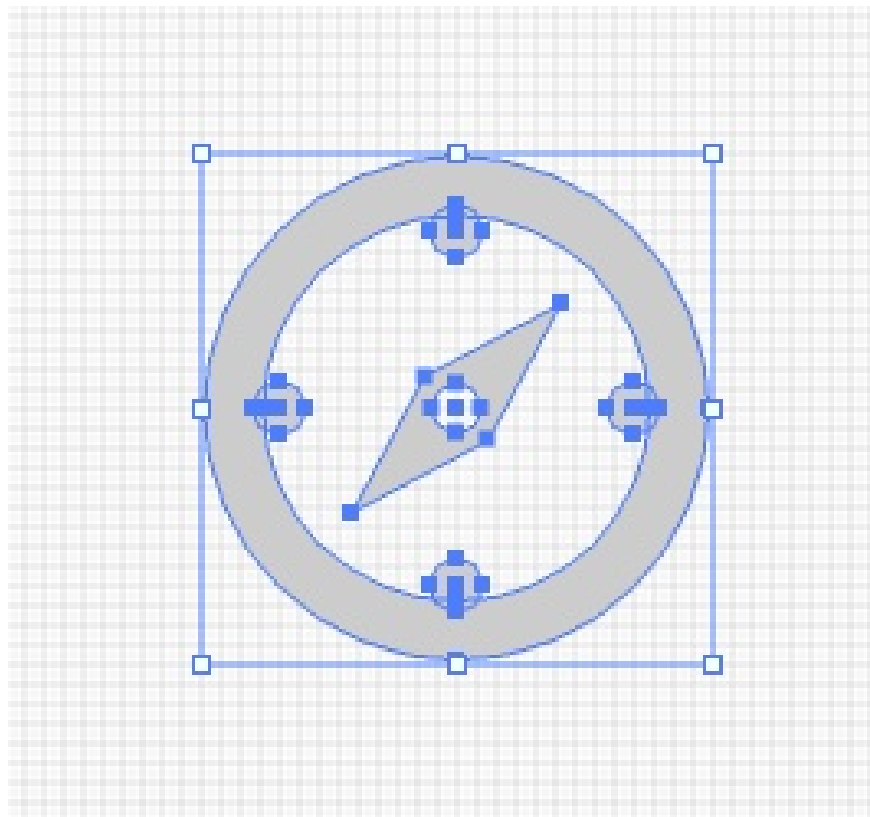


Next, drag the cursor around the icon and release. Make sure all parts of the icon are selected.



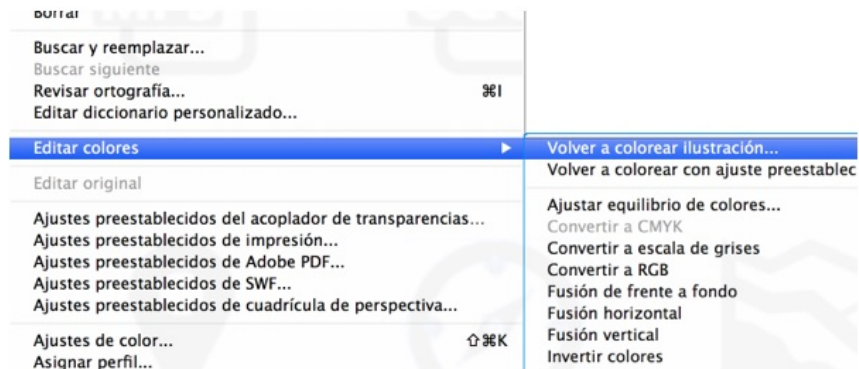
Step 5: Reverse the colors

Next, on the menu, select **Edit => Edit Colors => Invert Colors.**

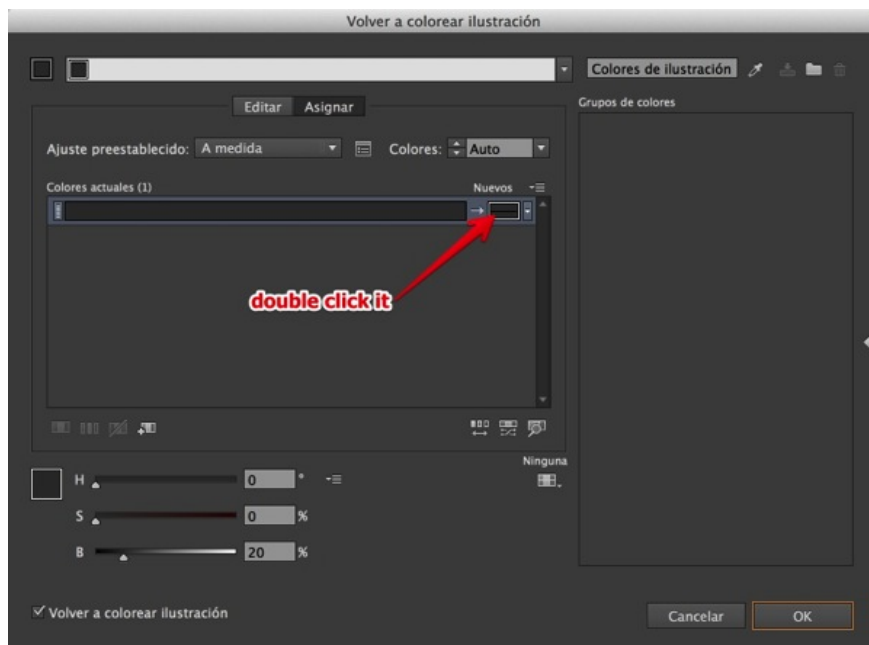


Other:

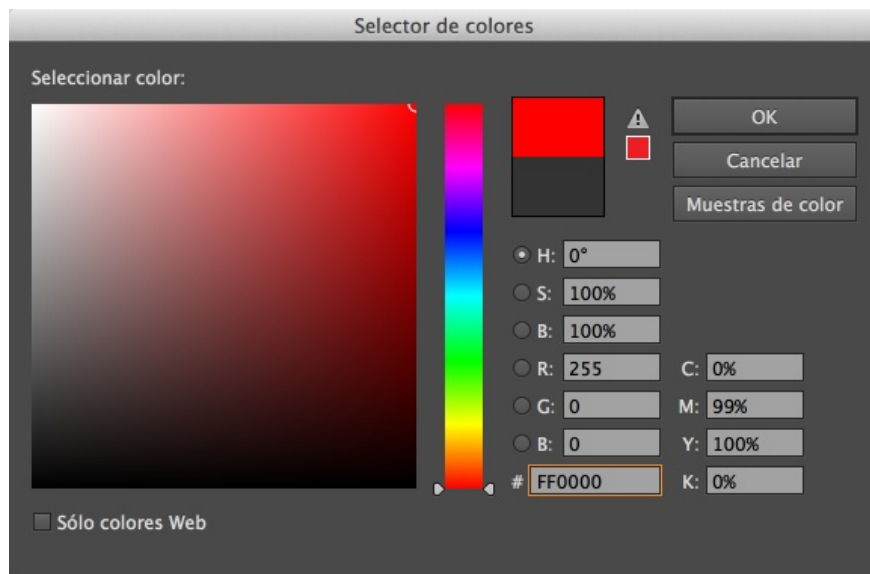
Go to **Edit => Edit colors => Color the illustration.**



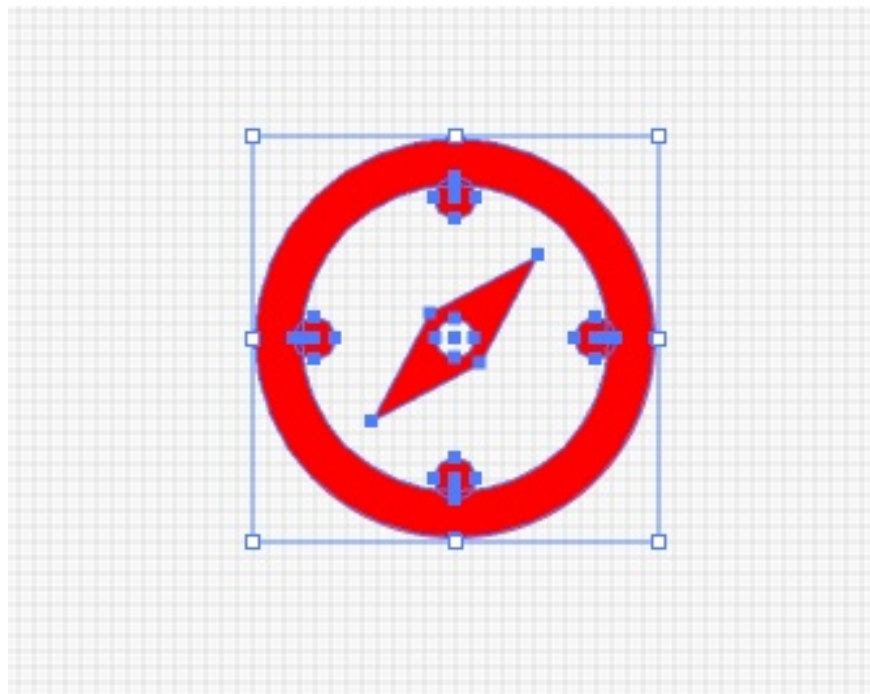
In the dialog box that appears on the screen, double-click in the location shown in the image below:



Here you can choose any color.



Once finished, click **OK** .



Step 6: Save the icon

To save the filled icon, follow these steps:

Step 1: Copy the selected icon to the clipboard by pressing **Cmd + C** (on Mac) or **Ctrl + C** (on Windows).

Step 2: Create a new document by accessing **the File menu => New** . or using the keyboard shortcut **Cmd + N** (on Mac) or **Ctrl + N** (on Windows). In the next window, click **OK**.

Step 3: Export the icon by accessing **File => Export**.

If you wish, you can scale the icons to different sizes before saving.

The article above from TipsMake has just guided you on how to color vector icons in Adobe Illustrator. Additionally, readers can refer to other articles on TipsMake to learn how to change **the default background color in Illustrator** .

You finished reading the article "**How to color vector icons in Adobe Illustrator**" edited by the [TipsMake](#) team. We hope this article has provided you with many useful tech tips and tricks. You can search for similar articles on tips and guides. Thank you for reading and for following us regularly.
