

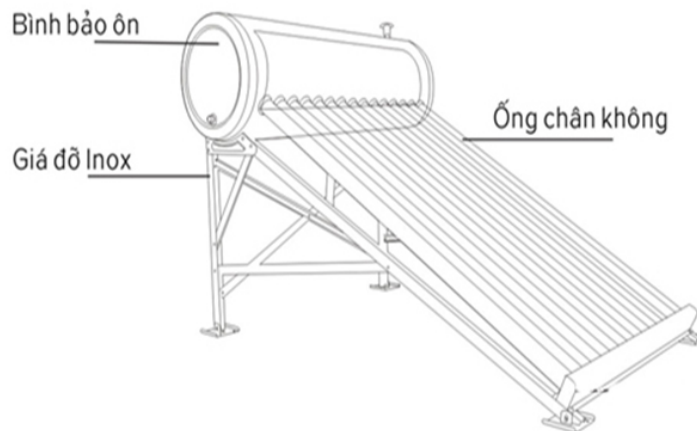
How is solar water heater structured, working?

If you are looking to buy solar water heaters, learn more about Thai solar energy's structure and principles to know how to buy.

Solar water heaters do not use electricity, effectively making extremely hot water, so they are trusted by many families, motels and hotels. The following article will help you understand more about the structure and operation principles of solar water heaters

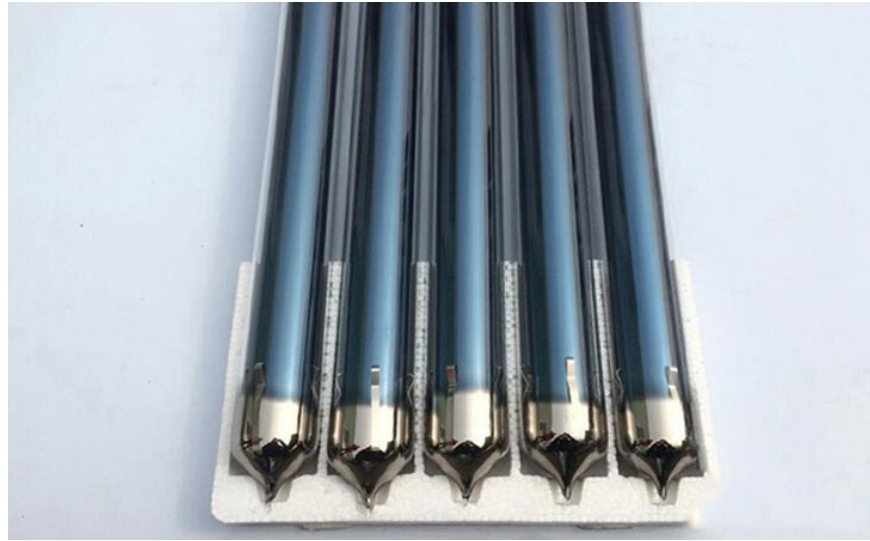
Structure of solar water heater

Solar water heater also called Thai Yang is extremely simple design with the following three parts: vacuum heat absorption tube, hot water tank and rack. Each department will play a different role.



Vacuum tube absorbs vacuum heat

This is an extremely important part of solar water heaters. This unit will take up the role of absorption and heat transfer to heat the water.



The structure of vacuum heat absorption tube consists of 3 layers, in which the outer layer and the inner layer are made of materials capable of withstanding high impact. In the middle is the vacuum layer.

The body surface is coated with a special metal film with 3 layers of heat-resistant, heat-absorbing and heat-transfer layer to heat the water inside.

Hot water container

This is also one of three very important parts of water heaters. The insulation bottle will take over the function of storing heated water.

The thickly designed insulation bottle with 3 layers can withstand temperatures up to 160 degrees Celsius and has the ability to hold heat for up to 72 hours. The insulation bottle is usually made of SUS 304 stainless steel material which is both durable and ensures that the water in the bottle is always clean, anti-rust. In addition, the bottle has extremely good thermal insulation properties thanks to the complex insulation compound.

Shelf

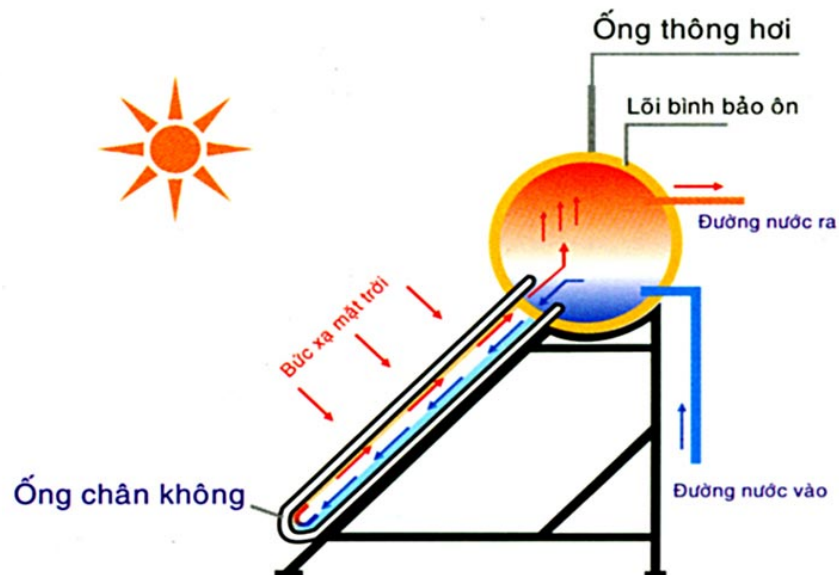
The support unit is responsible for supporting heat-absorbing pipes and insulation vessels. Racks use stainless steel or stainless steel anti-rust material, sturdy, resistant to sun and rain.



Brackets are often designed to tilt so that solar water heaters can catch the sunlight at the best location, helping to absorb the heat. In addition, the rugged design supports mounting parts more tightly, ensuring safety during use.

Principle of operation of solar water heaters

The solar water heater operates based on natural thermal convection principle, when the sun is shining, the vacuum tubes without cold water will absorb heat and heat the water quickly without having to plug in the electricity as the machine Indirect hot water or direct water heater.



According to the principle of convection, hotter water tends to move up the water tank and cold water moves down below the vacuum tube to be heated. The process of making hot water will end when the water temperature in both the container and vacuum tube is equal.

Hopefully, the above article will help you better understand the structure and operation principles of solar water heaters. The machine works very simple but brings abundant source of hot water to use for many purposes: bathing, washing dishes, cooking rice, heating water.

Which solar water heater is the best

Solar water heaters are sold very much in the market, so it is difficult to know which products are best. If you have not selected any products, please refer to the following 3 suggestions:

1. 14-tube solar energy solar water heater F58 - 140 liters - Reference price: 4,990,000 VND

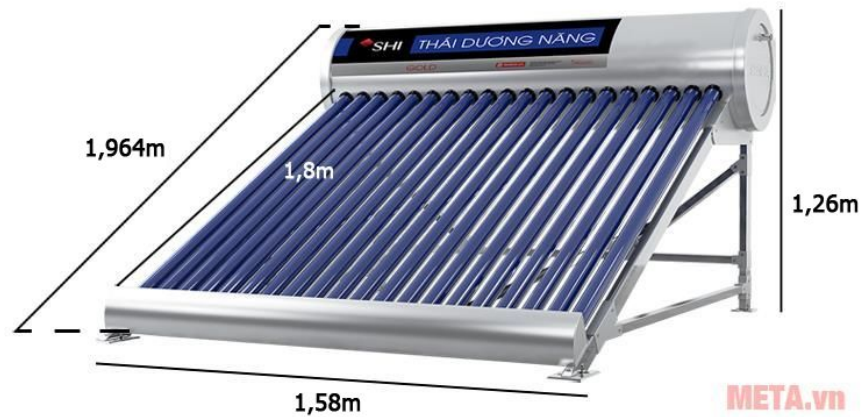
Son Ha solar water heater with a capacity of 140 liters is suitable for families with 3-4 members. The machine uses 5-layer vacuum tube to absorb heat up to 99%.



Polyurethane insulation has the ability to hold heat up to 72 hours to help the family always have hot water to use. The insulation shell made of SUS 304 stainless steel material is durable.

2. Solar water heater Solar 18 gold tube F58 - 180 liters - Reference price: 5,590,000 VND

The device has a large capacity of 180 liters of insulation tank, which will meet the demand of hot water for 4 - 6 people. Solar energy can equip up to 18 vacuum tubes to help absorb heat better for effective hot water heating. Vacuum tubes can keep hot water heat up to 72 hours.



3. Gold tube solar water heater 16 tube F58 - 160 liters - Reference price: 5,150,000 VND

The machine is made of high-quality materials for high durability, no electricity use but still provides excellent water heating effect.

1. 5-layer vacuum tube technology: Absorb heat up to 99%.
2. Insulated medium: European technology production minimizes material destruction up to 99%.
3. Polyurethane insulation: Super heat preservation up to 72h.
4. Insulation bottle shell: Made of durable SUS 304 stainless steel material.



If you need to buy solar water heater with the most cheap price, please contact us at Hanoi hotline number 024.35.68.69.69 - TP. HCM 028.38.33.33.66 for the most enthusiastic support!

You finished reading the article "**How is solar water heater structured, working?**" edited by the [TipsMake](#) team. We hope this article has provided you with many useful tech tips and tricks. You can search for similar articles on tips and guides. Thank you for reading and for following us regularly.