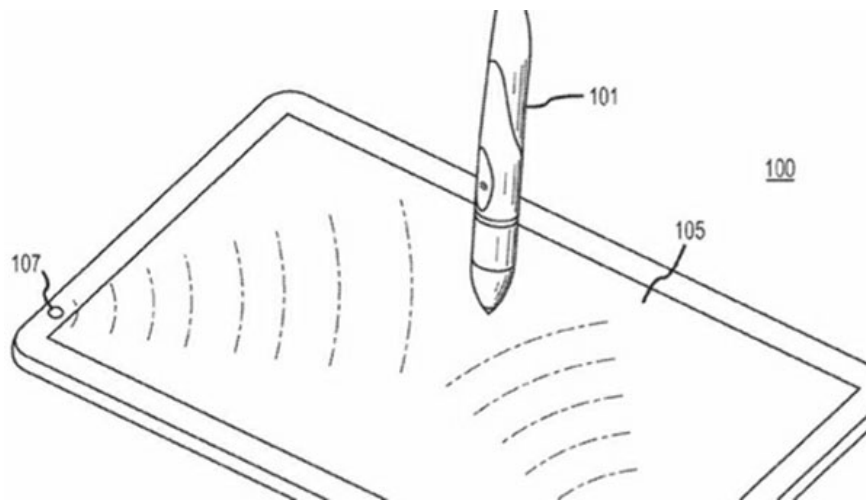


Apple licensed the stylus

Apple's stylus has 2 types based on 2 different technologies, one using optical camera, one using tactile sensors.

Apple's stylus has 2 types based on 2 different technologies, one using optical camera, one using tactile sensors.



Describe Apple's stylus design. (Photo: *Techradar*).

According to information on *Techradar*, Apple has been granted 2 patents for designing stylus on iPhone and iPad.

As described on this license, one of the Apple stylus is an optical digital pen. The device consists of a camera on the tip of the pen, allowing monitoring and marking on the device screen for input.

Meanwhile, the second pen developed based on tactile sensor technology. The pen uses a tactile sensor and wireless receiver in close proximity and interacts with the iPhone / iPad through vibrations on the beveled sides of the device.

The move shows that Apple seems to have a stylus for iPhone 5 or iPad next generation. However, this is not the first time Apple has thought of developing a digital pen. In 2010, Apple registered a stylus design with pressure-sensitive technology for low-resolution touch screens. Earlier, since the 1990s, Apple's Newton MessagePad device was also equipped with a similar stylus to support data entry.

One of the iPad rivals of Samsung's Galaxy Note tablet model is currently equipped with the S Pen as a powerful assistant for users. The company has also confirmed it will continue to use the S Pen for the Galaxy Note 10.1 version expected to be released in June.

You finished reading the article "**Apple licensed the stylus**" edited by the [TipsMake](#) team. We hope this article has provided you with many useful tech tips and tricks. You can search for similar articles on tips and guides. Thank you for reading and for following us regularly.
