

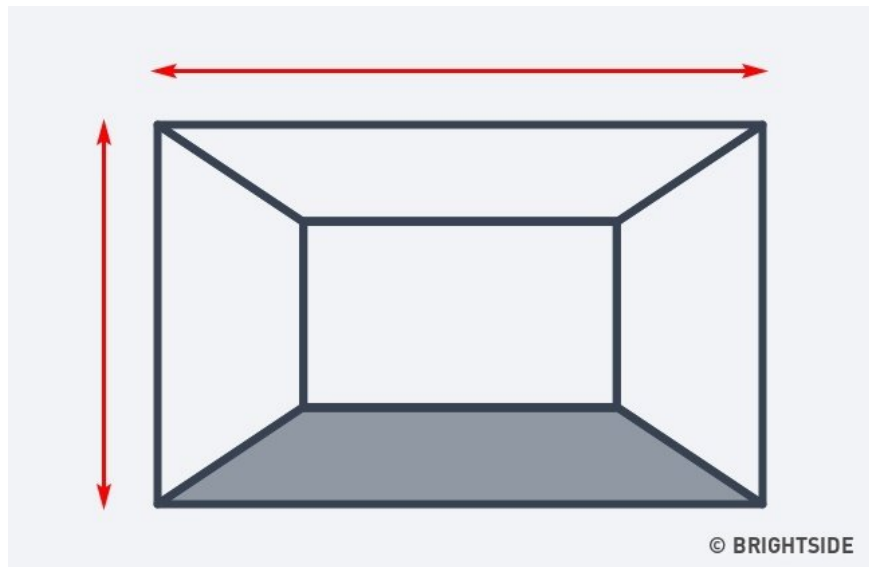
# 10 design tips expand the space for a small room

Try following 10 design tips to expand the space for the following small room and verify their effectiveness!

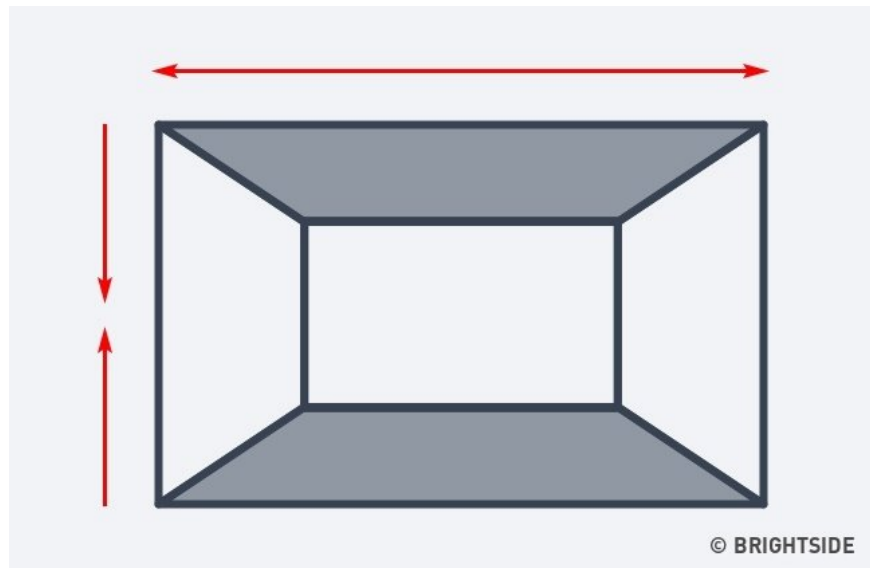
1. What happens when pouring vinegar into the toilet?
2. 10 creative ideas to make flower pots from old plastic bottles
3. 10 tricks "cheat" area for small apartments

Obviously we cannot use our hands to move walls fixed by " *no supernatural powers* ". But we can create optical illusions to expand the space for small rooms. On the Bright Side page gives you the right color choice to " *turn* " the cramped room into spacious immediately. Try following **10 design tips to expand the space for the following small room** and verify their effectiveness!

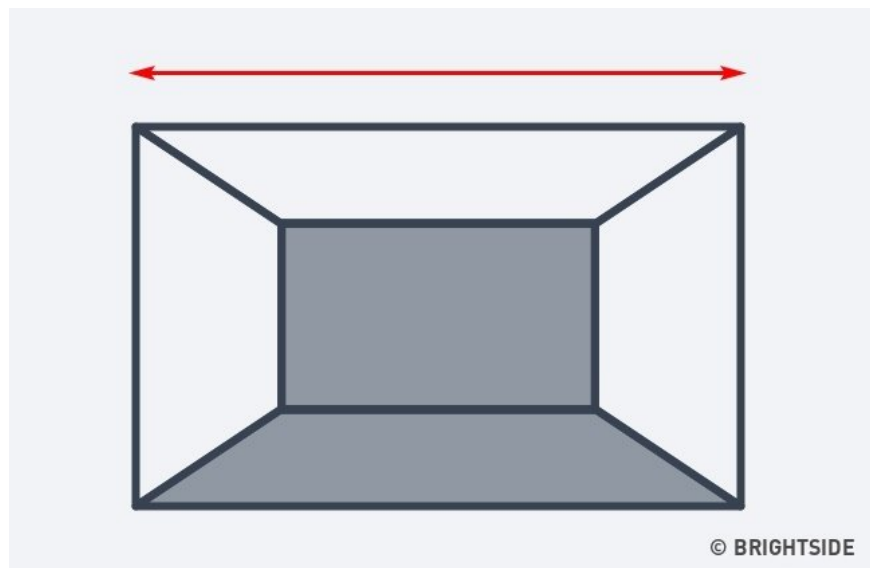
In a bright space, colored floors will " *push* " **the walls away** and make the room look taller and wider.



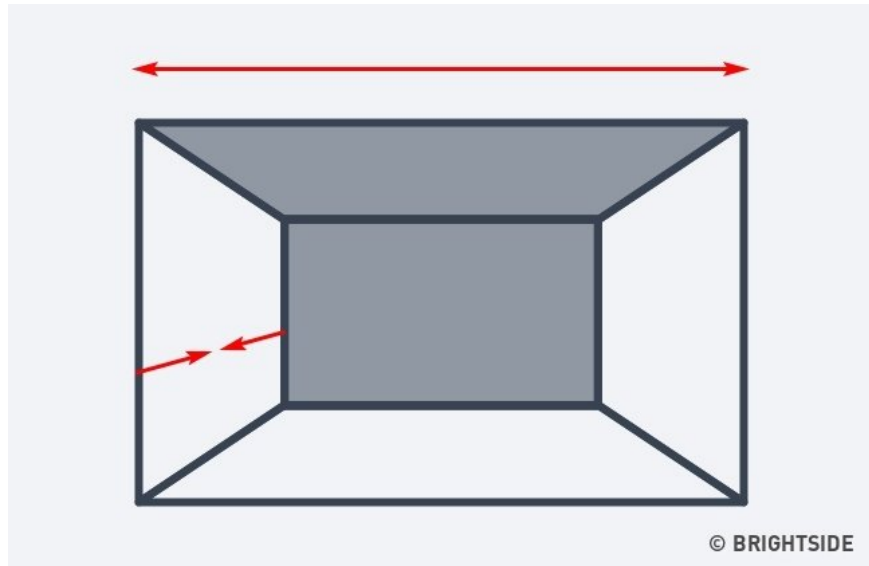
**Choosing light colors for both floors and ceilings** will create a sense of large space. However, this also makes the ceiling look lower.



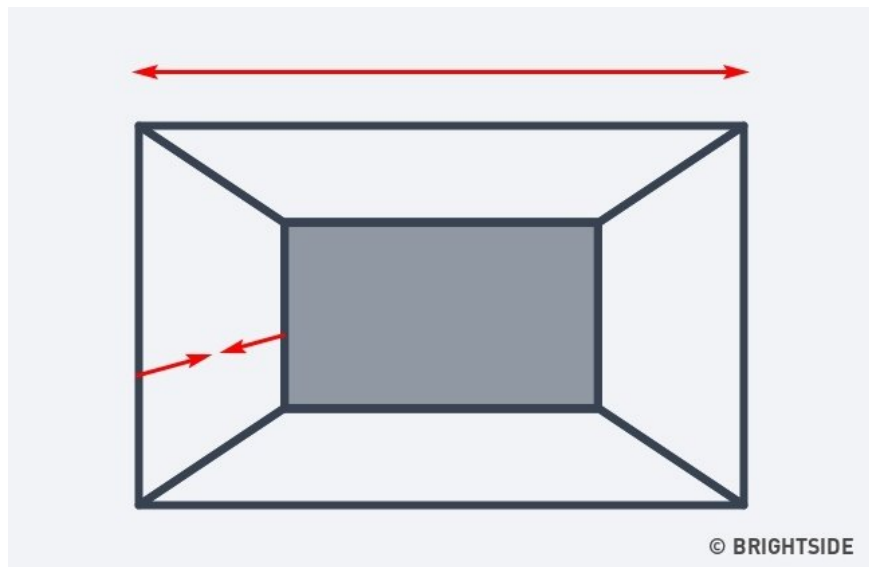
Choosing the same color for the **back wall and floor** will make the room appear more open.



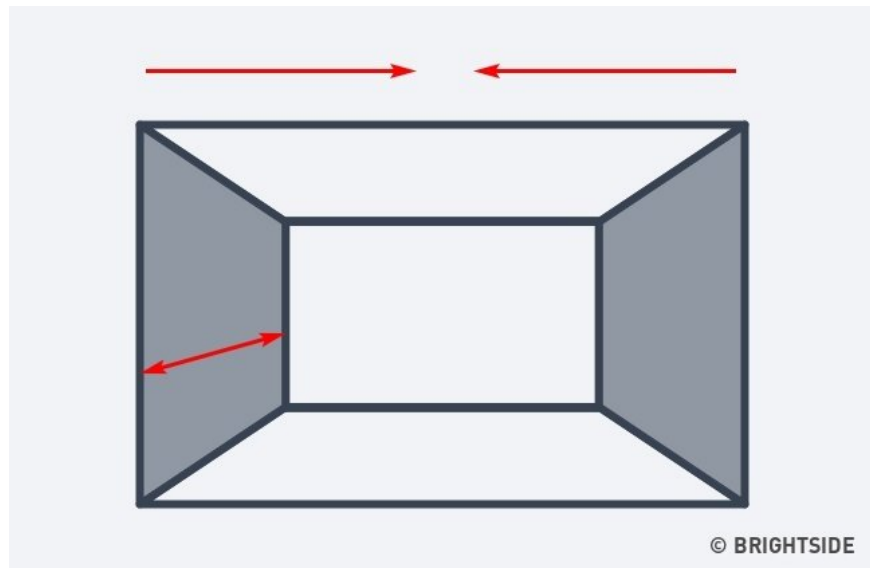
Choosing the same color for **the back wall and ceiling** also makes the room look wider but reduces its depth.



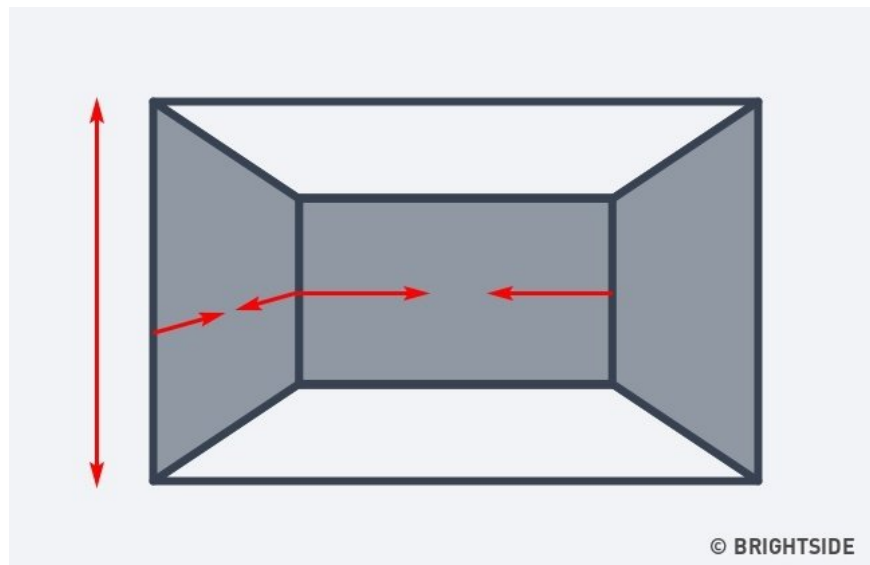
Another way to **"push" the two walls away from each other** is to reduce the depth of the room. To do this, use a light color that highlights the back wall.



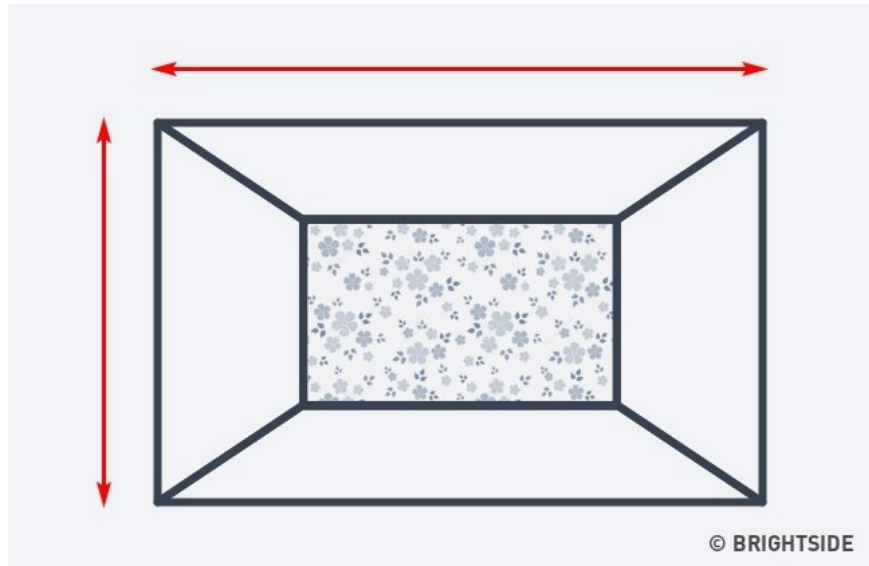
Conversely, you can **reduce the width and increase the depth** by using saturated colors to highlight the side walls.



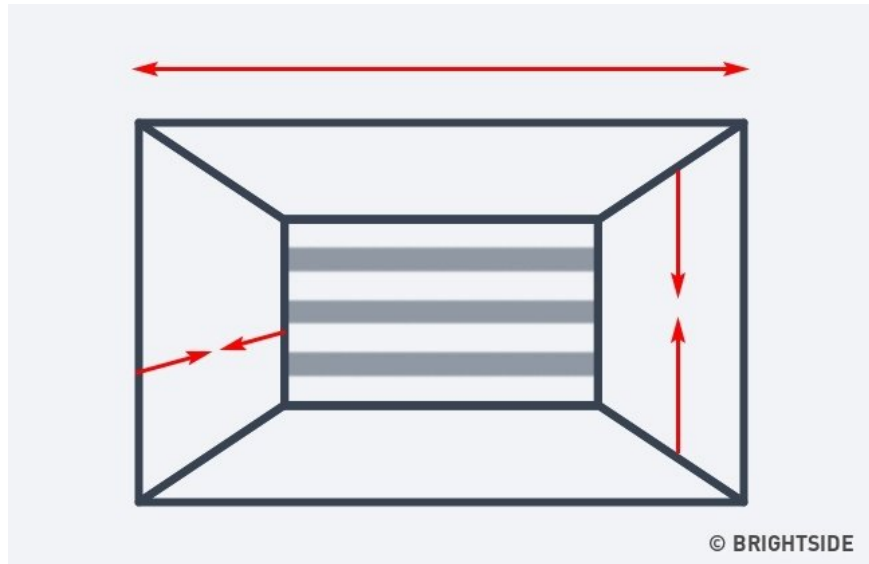
If the ceiling is low, you can fix it by choosing a bright, saturated color for the side walls and the back wall. This will **reduce both width and depth**, making the ceiling look taller.



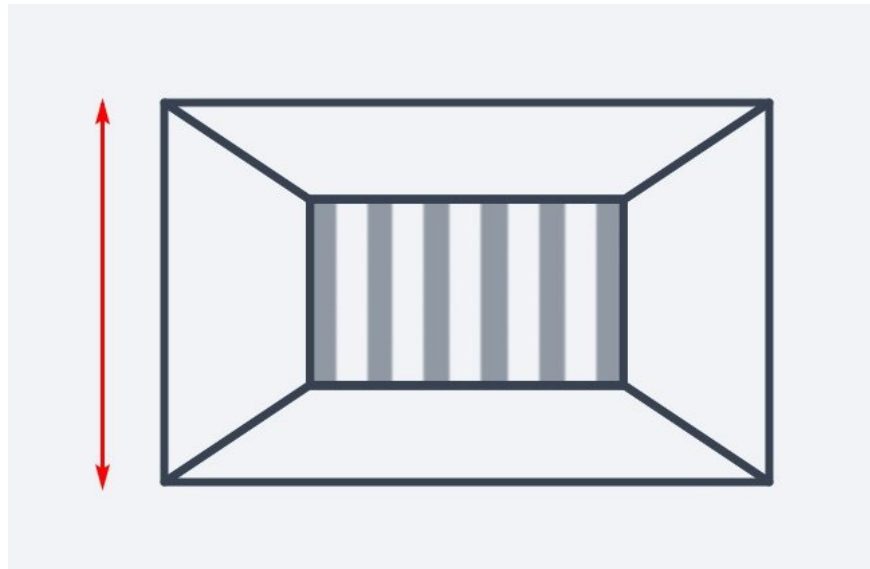
Choosing bright colors is not the only way to increase the impression of spacious space. **Pattern** backgrounds will also help you do that. To make the room seem more open, use light-colored wallpaper with small patterns.



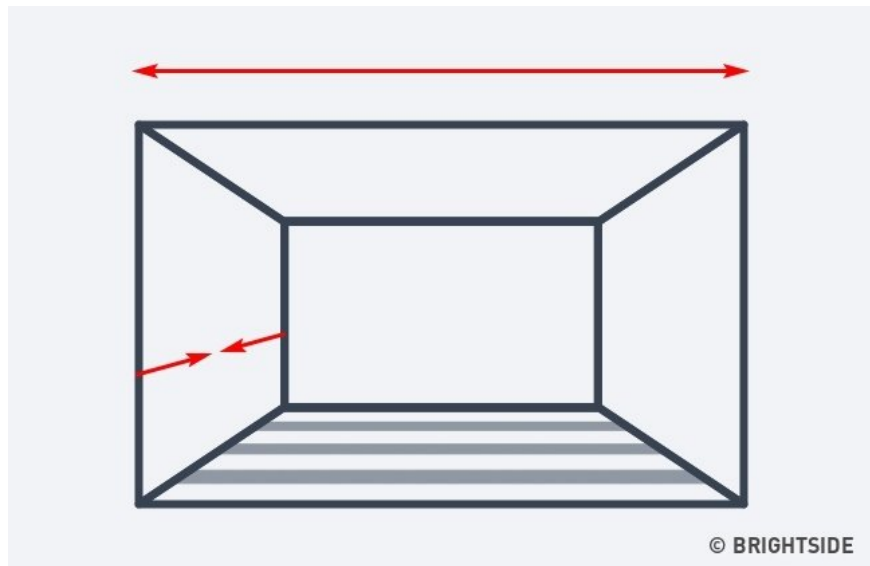
If your ceiling seems too high, **horizontal stripes** will make the ceiling look lower but also reduce the depth of the room.



Besides, vertical stripes can help you "**raise**" a low ceiling .



If you want the room to look **wider and reduce its depth** , horizontal stripes on the floor will help you do that.



See also: 38 extremely creative design ideas for narrow-sized apartments (Part 1)

Having fun!

You finished reading the article "**10 design tips expand the space for a small room**" edited by the [TipsMake](#) team. We hope this article has provided you with many useful tech tips and tricks. You can search for similar articles on tips and guides. Thank you for reading and for following us regularly.